

**CHTV horizontal lifting clamps with spring**



REMA CHTV horizontal clamps are fitted with a torsion spring so that the lifting clamp remains closed at the desired location. 1 person can place 4 clamps and operate the crane.

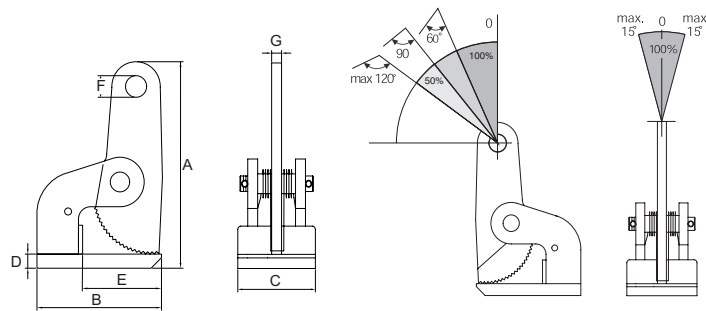
**Application**

- 1 person can place 4 clamps and operate the crane.

**Norm:**

- EN12100-1/2, EN13155, AS4991, ASME-B30,20

**Safe workload when used under different angles**



Type	WLL/pair (kg)	Jaw opening (mm)	A (mm)	B (mm)	C (mm)	D (mm)	E (mm)	F (mm)	G (mm)	Weight/pair (kg)	ProductId
CHTV-1	1000/2	0-35	193	140	85	10	100	25	15	6/2	3369001
CHTV-2	2000/2	0-60	290	180	125	15	115	30.5	16	18/2	3369002
CHTV-3	3000/2	0-60	293	180	125	20	115	30.5	16	20/2	3369003
CHTV-4	4000/2	0-60	310	220	165	30	140	30.5	20	30/2	3369004
CHTV-6	6000/2	0-60	310	220	165	30	140	30.5	20	30/2	3369006

